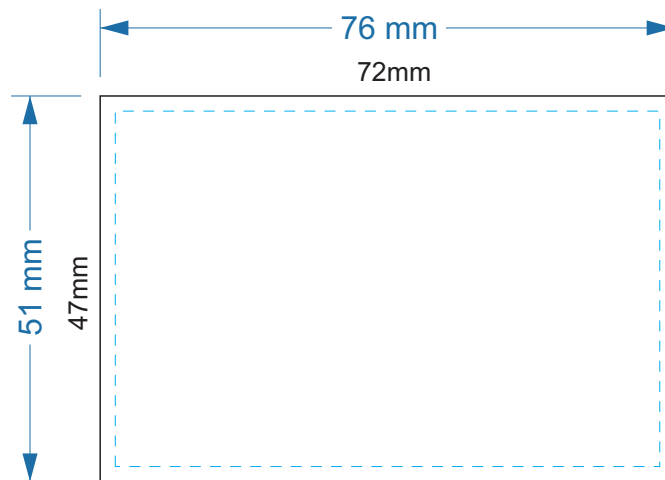
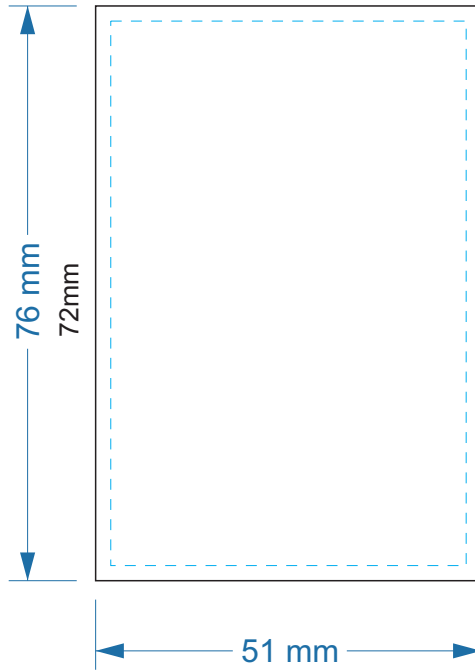


100% of Actual Size  
Digital Print  
47mm



*\*Black & White print will not be metallic foil*

Blue Line = The SIGNIFICANT PRINT AREA  
(Keep all critical images & text within this box)

Black Line = Maximum print area